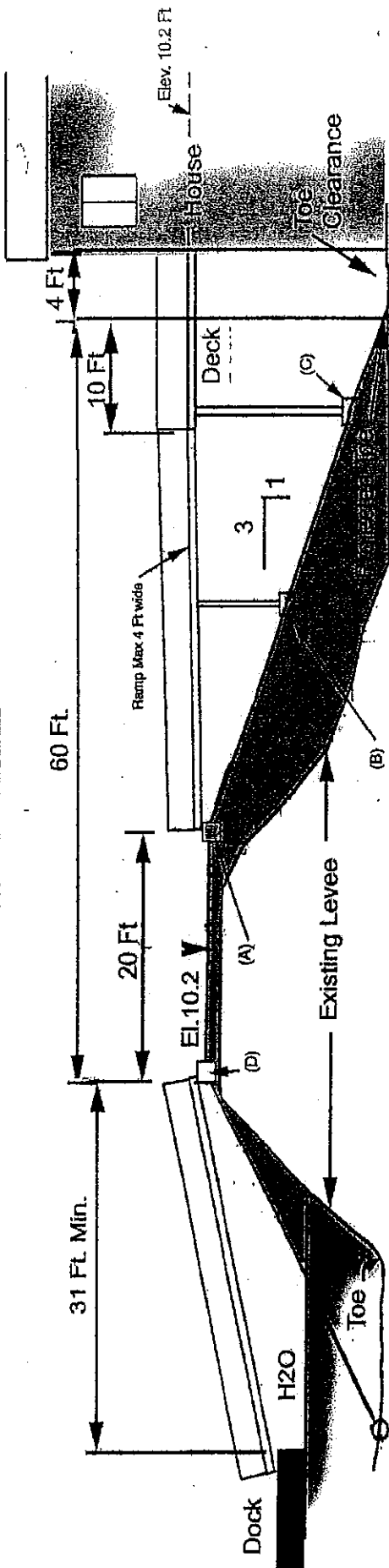


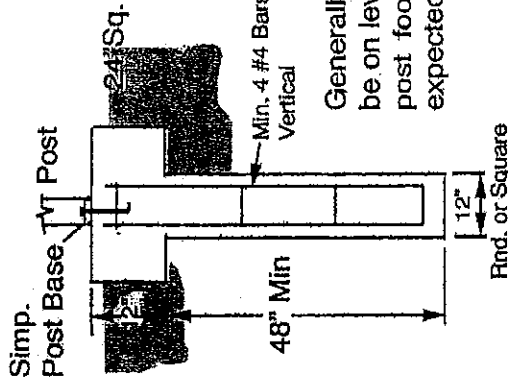
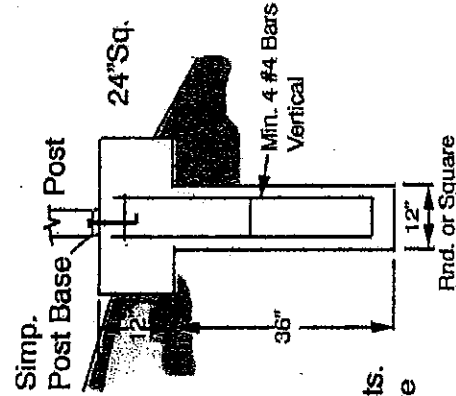
**BETHEL ISLAND MUNICIPAL IMPROVEMENT DISTRICT**



(A) Min. Recommended 24" x 48" x 12" Deep Concrete with min. of two 5/8" A.B.'s.

(D) This footing is similar to (A) Above.

(B) Walkway support footing. Min. Requirements. Soil Condition may require size adjustment.



Generally this footing will be on level land. It is a single post footing that should be expected to support a 2000# Load.

The above footings are recommended as a minimum. The ramp support shown in (B) normally would be used in a set of two laterally 48" apart. If used singularly they lend very little to lateral support. BIMID does not recommend a large slab or a large deep footing in the levee. The deck footing shown is a minimum for deck column supports. The number of footings and columns depend on the size and load on the deck.

The above is meant as a guide and does not represent an accepted design as conditions vary widely.

**ALL DECKS AND WALKWAYS ARE REQUIRED TO HAVE A COUNTY BUILDING PERMIT AS WELL AS BIMID APPROVAL**